

4

3

2

1

D

D

C

C

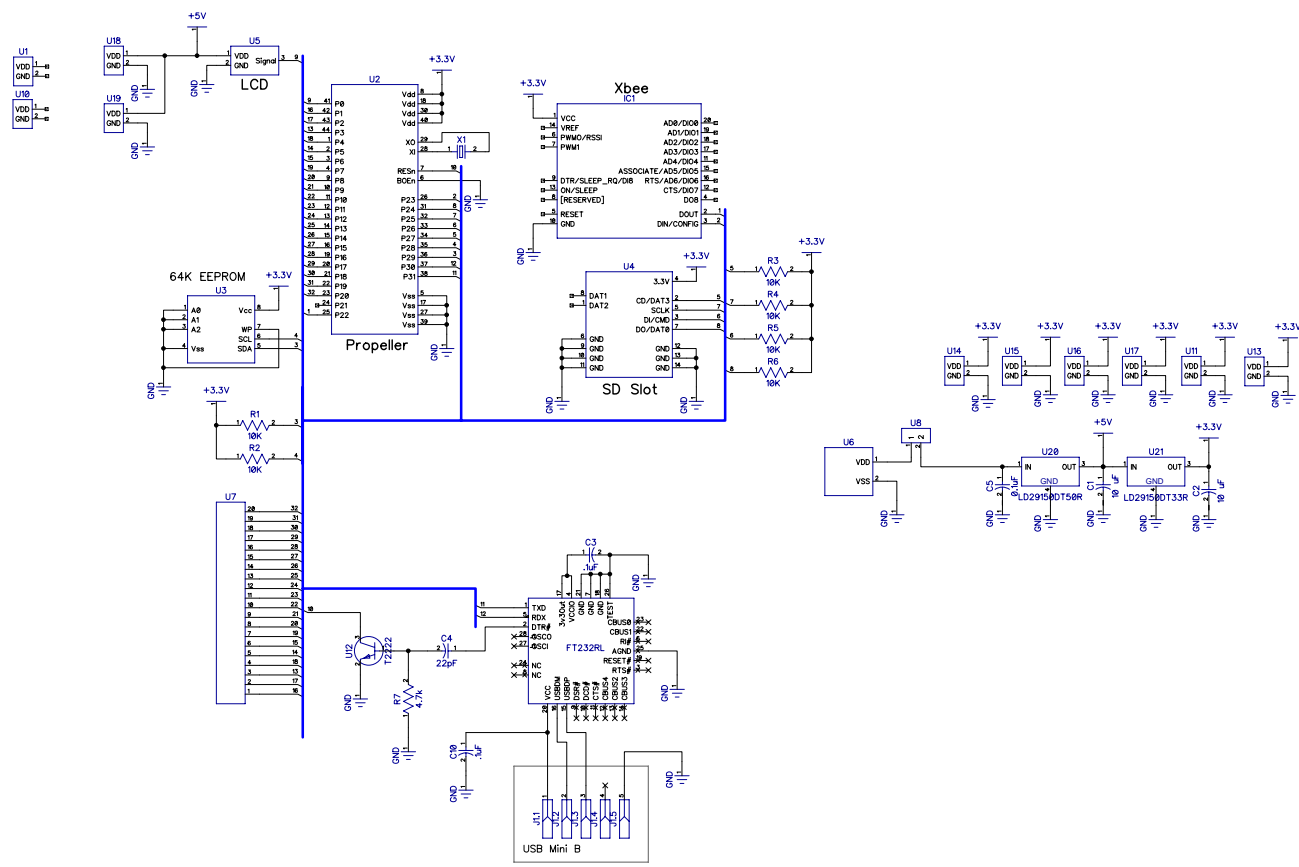
B

B

A

A

REVISIONS				
ZONE	REV	DESCRIPTION	DATE	APPROVED



Quantum Robotics			
Main Controller Board			
P	2/9/2013	DWG NO. MCB-V1.1	REV V1.1
SCALE=None	Paul Krosinski	Sheet 1 of 1	

4

3

2

1