

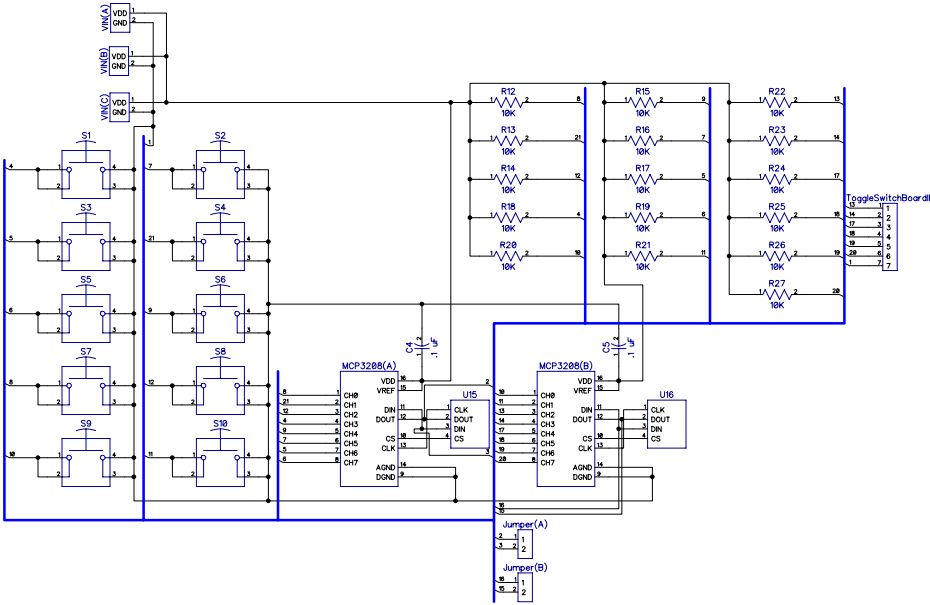
4

3

2

1

REVISIONS				
ZONE	REV	DESCRIPTION	DATE	APPROVED



Quantum Robotics			
Push Button Board			
P	2/9/2013	DWG NO. PB-V1.1	REV V1.1
SCALE-None	Paul Krosinski	Sheet 1 of 1	

4

3

2

1